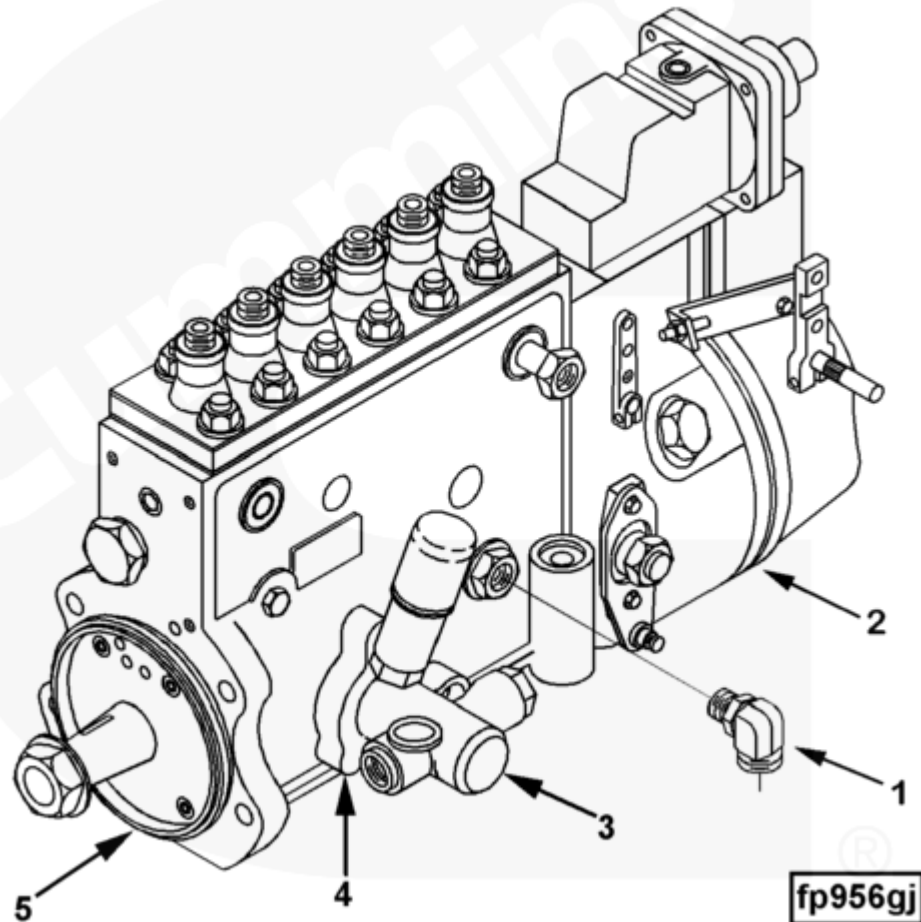




Parts Catalog - Option Detail

Electronic Parts Catalog - Option Detail				
Option	Group	Graphic	Film Card	Date
FP98901-02	05.21	fp956gj	Z	08-APR-02
Engines	6C8.3, C GAS PLUS CM556, G8.3, G8.3 CM558, GTA8.3 CM558, ISC CM2150, ISC CM554, ISC CM850, ISC8.3 CM2250, ISC8.3 G CM2180 C101, ISL CM2150, ISL CM554, ISL CM850, ISL G CM2180, ISL8.9 CM2150 L110, ISL8.9 CM2880 L112, ISL9 CM2150 SN, ISL9 CM2250, ISL9 CM2350 L101, ISL9 CM2350 L111, ISLE4 CM850, L GAS PLUS CM556, L8.9, L8.9 L121, L8.9G CMOH2.0 L125B, L9 CM2350 L116B, L9 CM2350 L119B, L9 CM2350 L120C, L9 CM2350 L123B, L9.3 L105, L9.5 L117, L9N CM2380 L124B, QSC8.3 CM2250, QSC8.3 CM2880 C102, QSC8.3 CM554, QSC8.3 CM850(CM2850), QSL9 CM2250, QSL9 CM2250 L115, QSL9 CM2350 L102, QSL9 CM2350 L107, QSL9 CM2350 L118, QSL9 CM2350 L122, QSL9 CM554, QSL9 CM850(CM2850), QSL9 G CM558, QSL9 M CM2250 L106, QSL9.3 CM2880 L113			

©Cummins Inc



[SMALL](#) | [MEDIUM](#) | [LARGE](#)

Cart	Ref No	Part Number	Part Description	Required	Remarks
View My Cart					
		FP98901-02	Base Fuel Pump		

				Engine Family: "C" Series
				Engine Cylinders: 6
				advertised metric HP: 480 at
				2600
				Peak torque (LB-FT): 1205 at
				1600 fuel pump timing: 11.5
				BTDC
				Fuel Pump Type: Inline pump
				manufacturer/model:
				Bosch p7100
				Governor Type: RE
				Solenoid Mounting Location:
				Pump
				High Pressure Tube ID (mm):
				2.0 shutdown device:
				Solenoid Ida provision: No
				Compatible Fuel Rating - FR:
				90821
				CPL: 2960
				Certification Agency: EPA
				Peak Power: 343 KW (460 BHP)
				At 2600 governor break RPM:
				2675 governor regulation:
				Isochronous
				High Idle RPM: 2675
				Low Idle RPM: 600 note 1:
				Advertised metric horsepower
				rating is per ISO 3046 with
				25 degree centigrade fuel.
				Note 2: The above peak power

					is per ISO 8665 with 40
					degree centigrade fuel.
<input type="checkbox"/>	1	3866217	Male Adapter Elbow	1	Not used in this version
<input type="checkbox"/>	2	4058316	Fuel Injection Pump	1	
<input type="checkbox"/>	3	4019590	Fuel Transfer Pump	1	
<input type="checkbox"/>	4	3897783	Fuel Pump Gasket	1	
<input type="checkbox"/>	5	3924605	Rectangular Ring Seal	1	

© 2019 Cummins Inc., Box 3005, Columbus, IN 47202-3005 U.S.A.
Terms of Use and Disclaimers | Recommended System Requirements
Need Assistance? Please click on the Contact Us button in the top right corner of any page.